

# Specification

Customer:	
Customer P/O	
SY Part No	SPU1240AOH9.5T/R
Issue No	SY-TE U-01-004-A
Issue Date	02/06/2015

## Approval items:

- A, Scope
- B, Characteristics
- C, Technical terms
- D, Drawing
- E, Beam Pattern
- F, Test Circuit

## Approval signature:

DIS.	CHEC.	APPR.

### A. Scope

This specification applies Ultrasonic sensor SPU1240AOH9.5T/R

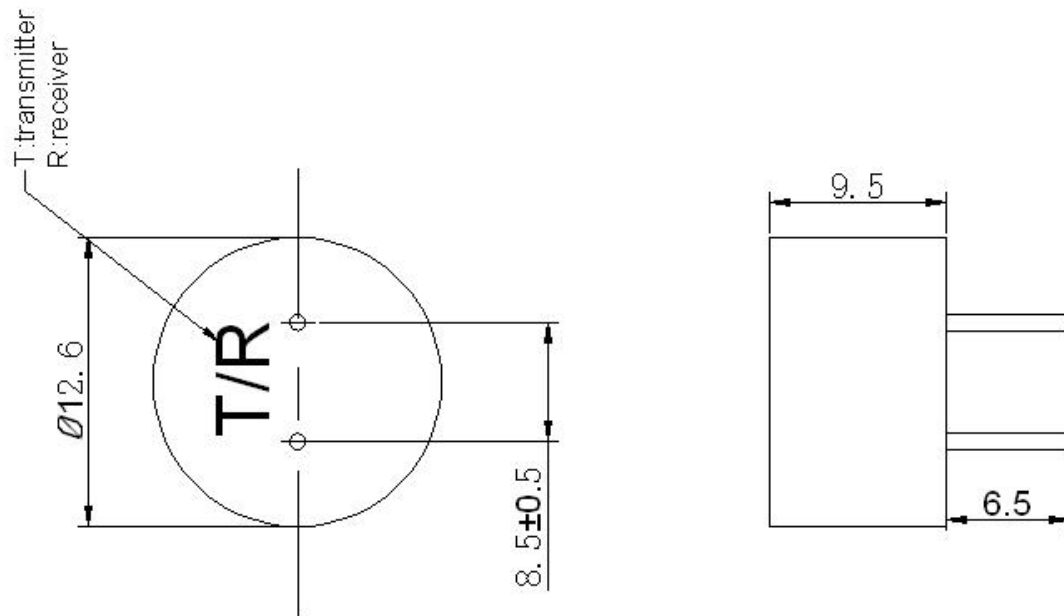
### B. Characteristics

- 1.1) Open structure and separate use
- 1.2) Compact and light weight
- 1.3) High sensitivity and sound pressure
- 1.4) Less power consumption
- 1.5) High reliability

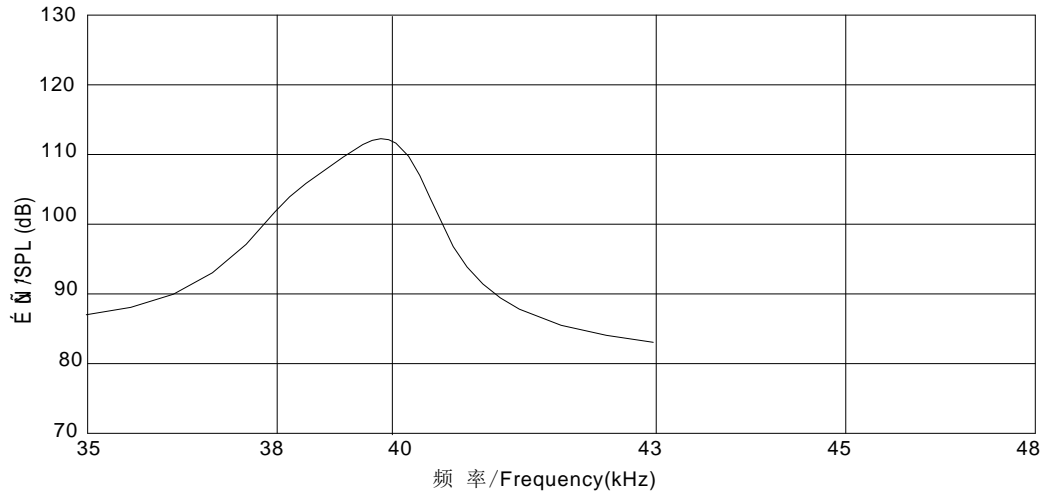
### C. Technical terms

No.	Item	Unit	Specification
1	Construction		Open
2	Using method		Transmitter/Receiver
3	Nominal Frequency	Hz	40K
4	Sensitivity		$\geq -70V/u \text{ bar}$
5	SPL	dB	$\geq 110$
6	Directivity		75deg
7	Capacitance	pF	$2400 \pm 25\% @ 1\text{KHz}$
8	Operating Temperature	$^{\circ}\text{C}$	-30...+85
9	Housing material		Al

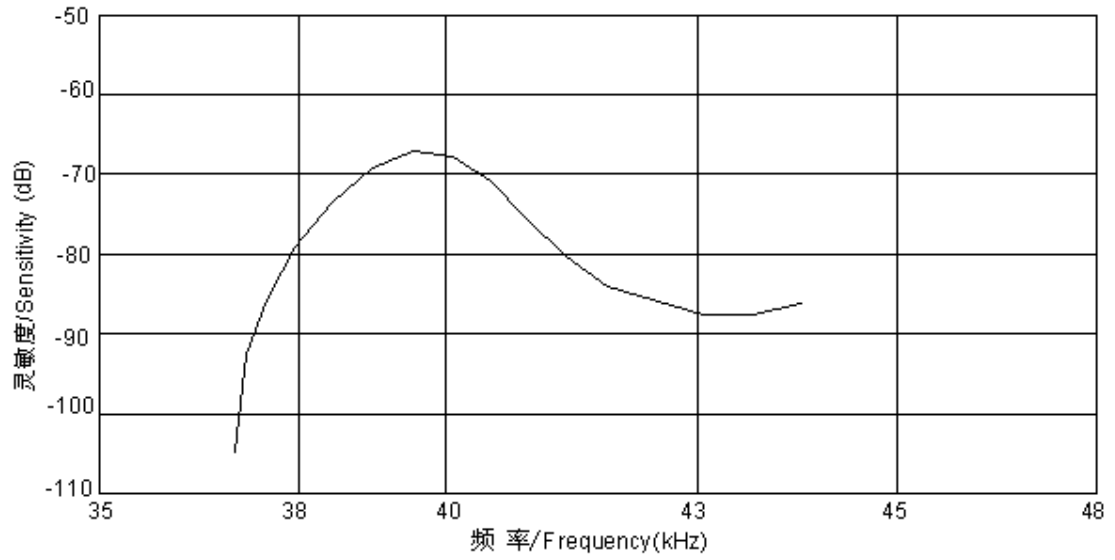
### D .Drawing



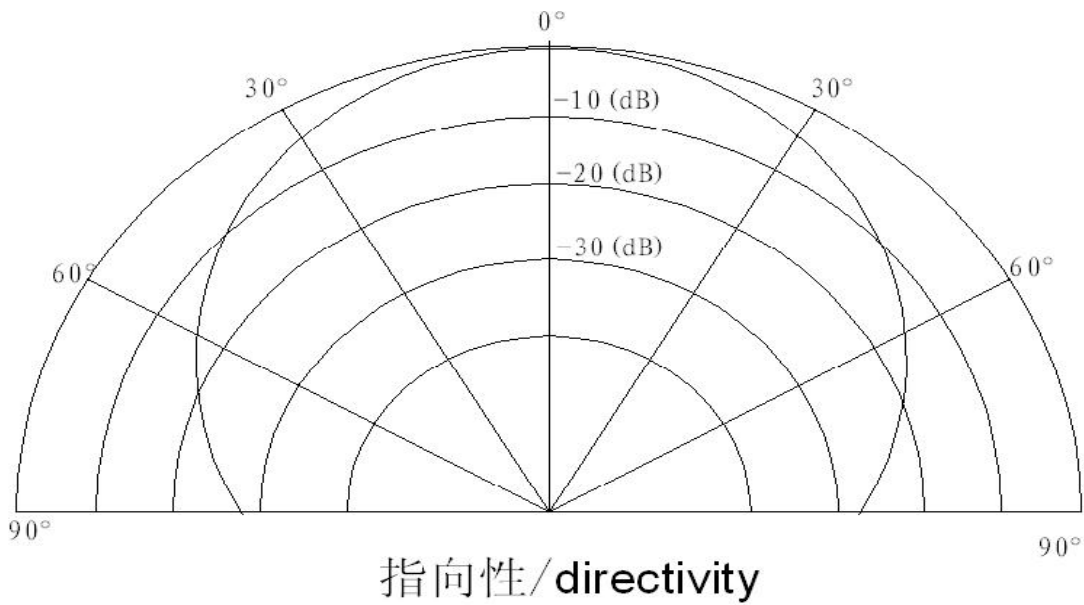
### E. Beam Pattern



声压-频率特性图/SPL-Frequency Characteristics

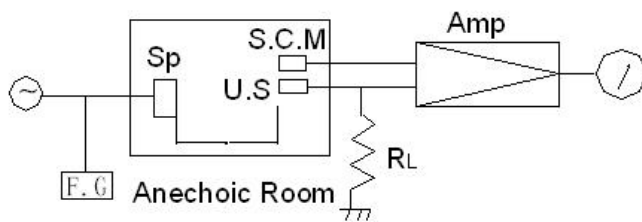


灵敏度-频率特性图/SPL-Frequency Characteristics



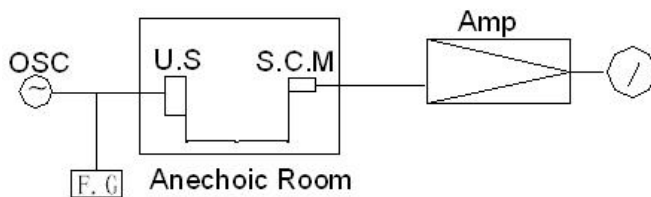
### F. Test Circuit

#### Receiver



- RL:  $3.9K\Omega$
- U.S :Ultrasonic Sensor
- S.C.M:Standard Cappacitor Microphone
- Amp. :Amplifier
- OSC. :Oscillator
- Sp :Tweeter
- F.C :Frequency Counter

#### Transmitter



- U.S :Ultrasonic Sensor
- S.C.M:Standard Cappacitor Microphone
- Amp. :Amplifier
- Input voltage:10Vrms
- F.C :Frequency Counter